

# PURGE ASSEMBLIES

## DESCRIPTION

The installation of a purge assembly on the inlet of your pressure regulator, pigtail inlet, or gas control system is highly recommended anytime a toxic, corrosive, flammable, or ultra high purity gas is to be used in the system. Purge assemblies perform the following multiple functions in your gas system during cylinder change-overs:

- Eliminate the release of toxic, corrosive, or flammable gases into the workplace.
- Maintain the integrity of an ultra high purity system.
- Protect equipment in corrosive gas service from exposure to moisture, thus preventing destructive corrosion.

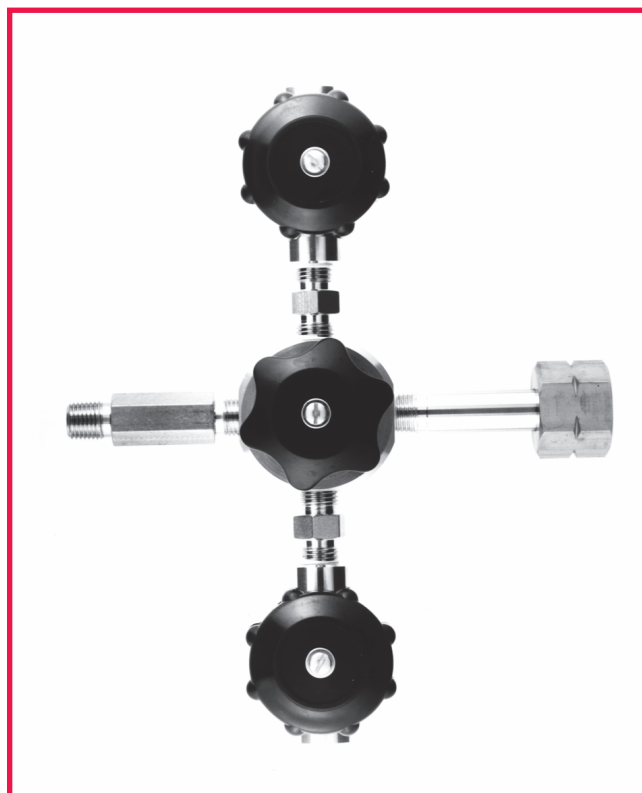
## DEEP PURGE VALVE SYSTEM Series 4800

### DESCRIPTION

The Series 4800 deep purge valve system provides the ultimate in purging capability in a compact design with a very small internal volume. These units can be used in a wide variety of applications where contamination must be avoided during cylinder changeovers.

The deep purge valve system is an ideal accessory installed between the cylinder and the regulator of ultra high purity carrier lines for gas chromatography systems that cannot tolerate even a minimum amount of oxygen and moisture that can enter the system during cylinder changeovers.

The deep purge valve system can be used with gas mixtures containing reactive components to ensure that no moisture enters the sampling system to cause deterioration of the reactive components that can lead to concentration inaccuracies. Use of the 4820 also provides protection from the release of toxic gases into the atmosphere during cylinder changeovers.



### HOW TO ORDER

Model	Material of Construction	Valve Type	Connections	
			Inlet	Outlet
4820-P4FF	stainless steel	multi-turn	1/4" NPT female	1/4" NPT female
4820-P4FM	stainless steel	multi-turn	1/4" NPT female	1/4" NPT male (3" nipple)
4820-CGA	stainless steel	multi-turn	specify CGA	1/4" NPT male (3" nipple)
4821-P4FF	stainless steel	90° lever	1/4" NPT female	1/4" NPT female
4821-P4FM	stainless steel	90° lever	1/4" NPT female	1/4" NPT male (3" nipple)
4821-CGA	stainless steel	90° lever	specify CGA	1/4" NPT male (3" nipple)
4822-CGA	stainless steel	multi-turn	specify CGA	mating CGA
4823-CGA	stainless steel	90° lever	specify CGA	mating CGA